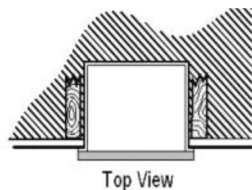
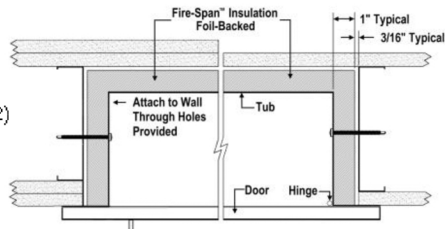
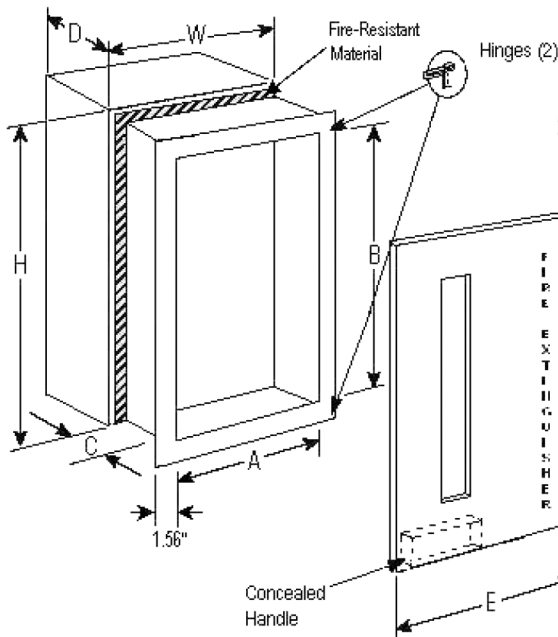
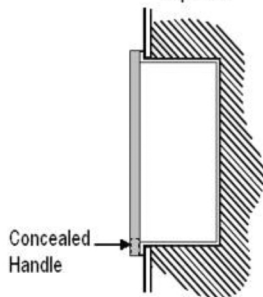


FIRE RATED TRIM SUBMITTAL : DIMENSIONS

DOOR SERIES #	Tub I.D.			Frame O.D.		Wall Opening		
	A	B	C	E	F	W	H	D
56x4FX2	10-1/2"	24"	5-3/4"	13 3/4"	27 1/4"	12 13/16"	26 5/16"	6 15/16"
57x4FX2	16"	32"	7-3/4"	19 1/4"	35 1/4"	18 5/16"	34 5/16"	8 15/16"



Top View



Side View